

# 701 series

## base drive transformers

### PRODUCT DESCRIPTION

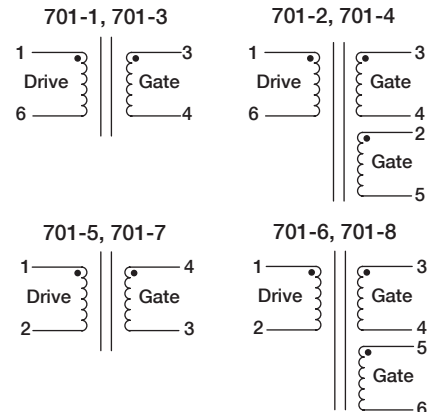
West Coast Magnetics' 701 series base drive transformers are designed to operate from 10 kHz to 500 kHz. These base drive transformers provide 3000 Vac of isolation and a winding configuration which has consistent low leakage inductance qualities. These Base Drive Transformers are available in through hole as well as surface mount packaging with tape and reel.

### FEATURES & BENEFITS

SMD tape and reel – 10 kHz to 500 kHz operating range – Low leakage inductance – 3000 Vac interwinding isolation

Product Code	Turns Ratio	Maximum ET (Volt- $\mu$ Sec) <sup>A</sup>	Minimum Drive Inductance ( $\mu$ H)	DCR Drive (m $\Omega$ ) nom	DCR Gate (m $\Omega$ ) nom	Gate-Drive Hypot Vac
701-1	1:1	170	735	180	50	3000
701-2	1:1:1	170	735	180	100	3000
701-3	1:1:5	126	400	55	80	3000
701-4	1:1.5:1.5	126	400	55	160	3000
701-5	1:1	118	590	310	75	3000
701-6	1:1:1	118	590	310	150	3000
701-7	1:1.5	118	590	300	210	3000
701-8	1:1.5:1.5	118	590	300	420	3000

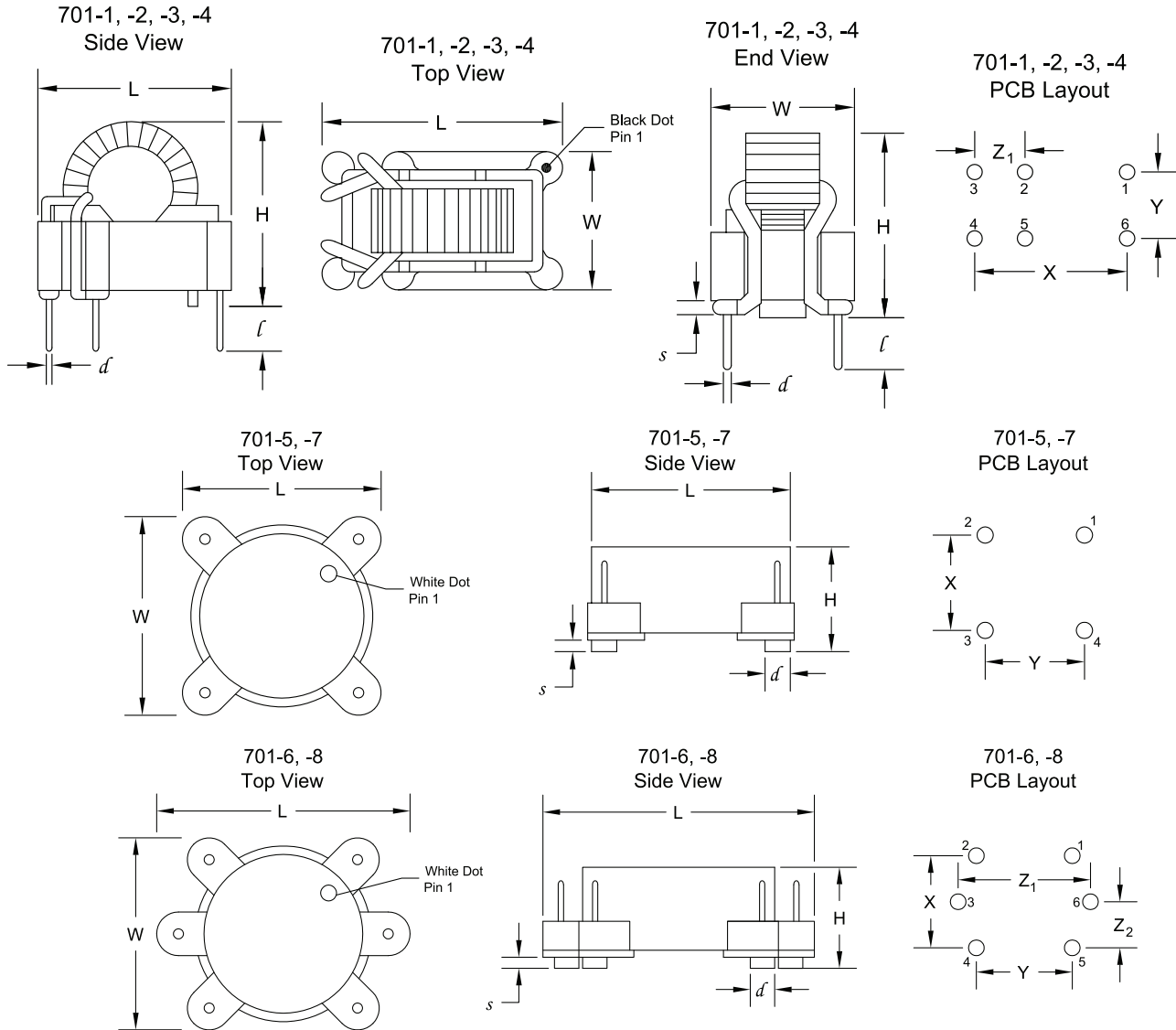
### 701 Series Schematics



Note A: Based on 50% bipolar square wave, 2500 gauss maximum, Drive Side.



Dimensions:  $\frac{\text{inches}}{\text{mm}}$



Product Code	L	W	H	s	l	d	X	Y	Z <sub>1</sub>	Z <sub>2</sub>
701-1										
701-2	0.800	0.450	0.800	0.080	0.175	0.025*	0.700	0.350	0.200	NA
701-3	20.3	11.4	20.3	2.0	4.4	0.6	17.8	8.9	5.1	
701-4										
701-5	0.650	0.650	0.325	0.030	NA	0.070	0.495	0.495	NA	NA
701-7	16.5	16.5	8.3	0.8		1.8	12.6	12.6		
701-6	0.830	0.650	0.325	0.030	NA	0.070	0.495	0.495	0.700	0.248
701-8	21.1	16.5	8.3	0.8		1.8	12.6	12.6	17.8	6.3

\* square pin

Note: All materials of construction minimum Class B 130° C rated.