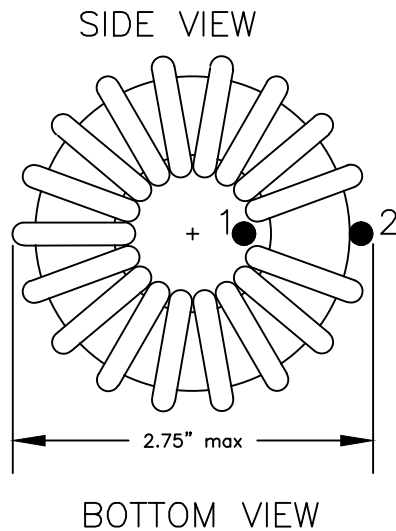
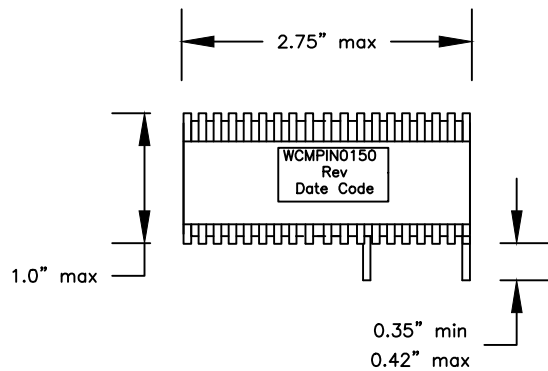
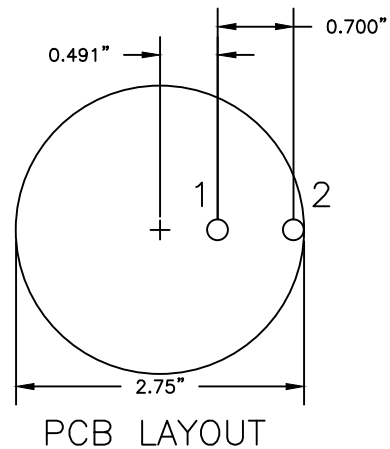


THE DATA CONTAINED HEREIN CONSTITUTES PROPRIETARY INFORMATION OF WEST COAST MAGNETICS AND SHALL NOT BE USED, DUPLICATED, OR DISCLOSED IN WHOLE OR IN PART, EXCEPT FOR RIGHTS EXPRESSLY GRANTED BY CONTRACT, WITHOUT THE PRIOR WRITTEN AUTHORIZATION OF WEST COAST MAGNETICS.



WCM REVISIONS			
REV	CHANGES	BY	DATE

ELECTRICAL SPECIFICATIONS

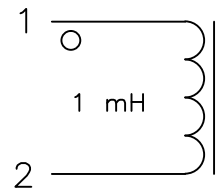
DCR = 70 milliohms nominal at 25 degrees C
 Unloaded Inductance = 1 mH +/- 15%
 Frequency = 35 kHz
 Irms = 8 amps.
 L = 750 uH min at 8 amps peak.

MATERIAL SPECIFICATIONS

Wire is Heavy insulated Nema MW 80, 155 C rated.
 UL 1446 compatible.
 ROHS compliant
 All materials min. 155 C rated.
 Lead diameter = 0.055 inch nominal
 Lead plating: Sn96.5Ag3.0Cu0.5

OTHER

-40C to +85C ambient temperature range.



UNLESS OTHERWISE SPECIFIED DIMENSIONS ARE IN INCHES TOLERANCES PER ANSI Y14.5M

FRAC	DECIMALS	ANGLES	SURF.
±	X. ± 0.10"	±	
	.X ± 0.05		
	.XX ± 0.05"		
	.XXX ± 0.005"		

DRAWING NOT TO SCALE UNLESS NOTED.

WEST COAST MAGNETICS
 4848 FRONTIER WAY, STE. 100
 STOCKTON, CA 95215
 WWW.WCMAGNETICS.COM
 800-628-1123

CUSTOMER	DESCRIPTION	
WCM	Power Inductor	
PART NUMBER		REV.
WCMPIN0150		-
RELEASED BY	DATE	PAGE
AT	06/26/2017	1/1