

BASE DRIVE TRANSFORMERS

WCM 701 Series



PRODUCT DESCRIPTION

West Coast Magnetics' 701 series Base Drive Transformers are designed to operate from 50 kHz to 500 kHz. These base drive transformers provide 3000 Vac of isolation and a winding configuration which has consistent low leakage inductance qualities. These Base Drive Transformers are available in through hole as well as surface mount packaging with tape and reel.

FEATURES - BENEFITS



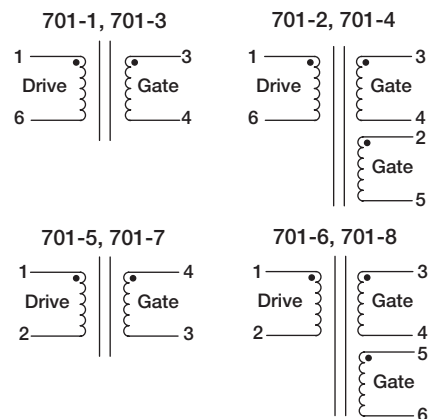
- SMD Tape and Reel • 50 kHz to 500 kHz operating range • Low leakage inductance
- 3000 Vac interwinding isolation

DESIGN CONSTANTS

Part Number	Turns Ratio	ET (μSecMax) A	Drive Inductance (min)	Leakage Inductance (max)	DCR Drive ($m\Omega$ nom)	DCR Gate ($m\Omega$ nom)	Hypot Gate-Drive
701-1	1:1	170	735 μH	600nH	180	50	3000 Vac
701-2	1:1:1	170	735 μH	600nH	180	100	3000 Vac
701-3	1:1.5	126	400 μH	650nH	55	80	3000 Vac
701-4	1:1.5:1.5	126	400 μH	650nH	55	160	3000 Vac
701-5	1:1	118	590 μH	530nH	310	75	3000 Vac
701-6	1:1:1	118	590 μH	530nH	310	150	3000 Vac
701-7	1:1.5	118	590 μH	530nH	300	210	3000 Vac
701-8	1:1.5:1.5	118	590 μH	530nH	300	420	3000 Vac

Note A: Based on 50% bipolar square wave, 2500 gauss maximum, Drive Side.

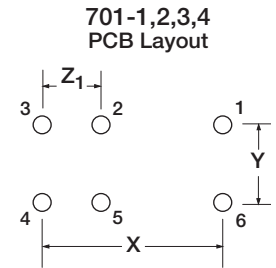
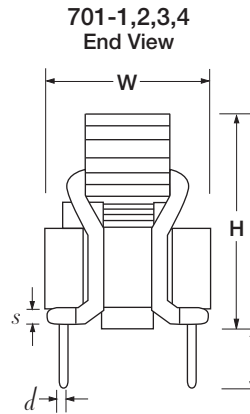
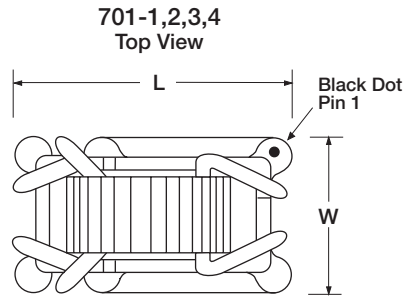
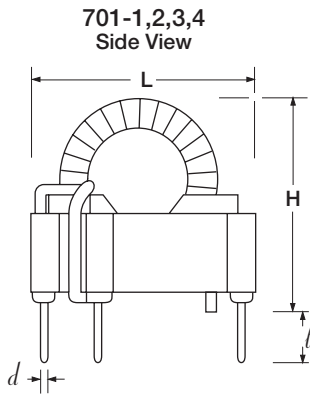
701 Series Schematics



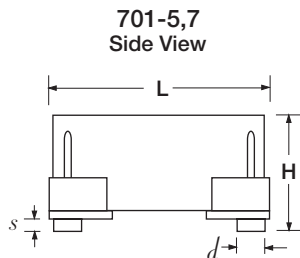
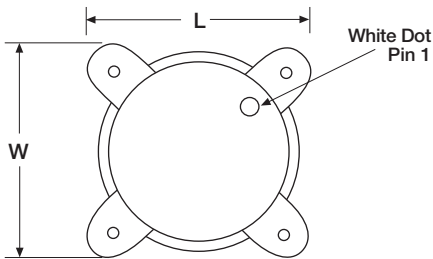
BASE DRIVE TRANSFORMERS

WCM 701 Series

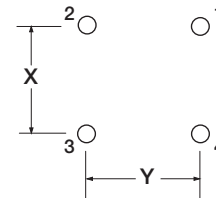
Dimensions: Inches
mm



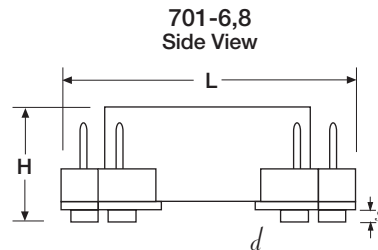
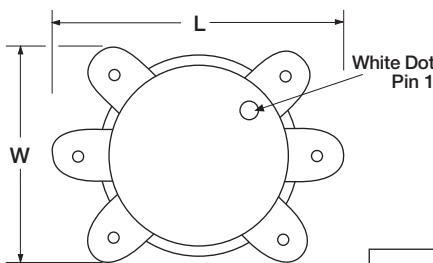
701-5,7
Top View



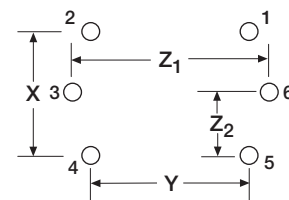
701-5,7
PCB Layout



701-6,8
Top View



701-6,8
PCB Layout



SIZE CODE	L	W	H	s	l	d	X	Y	Z ₁	Z ₂
701-1										
701-2	.800	.450	.800	.080	.175	.025*	.700	.350	.200	NA
701-3	20.3	11.4	20.3	2.0	4.4	0.6	17.8	8.9	5.1	
701-4										
701-5	.650	.650	.325	.030	NA	.070	.495	.495	NA	NA
701-7	16.5	16.5	8.3	0.8		1.8	12.6	12.6		
701-6	.830	.650	.325	.030	NA	.070	.495	.495	.700	.248
701-8	21.1	16.5	8.3	0.8		1.8	12.6	12.6	17.8	6.3

Note: *square pin

Note: All materials of construction minimum Class B 130 degrees C rated.

