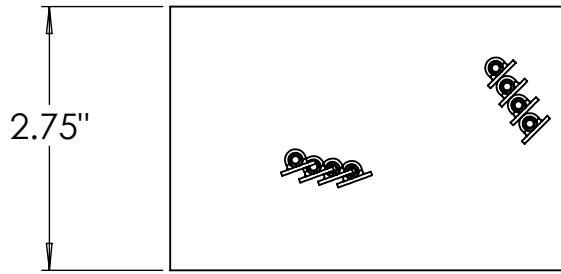
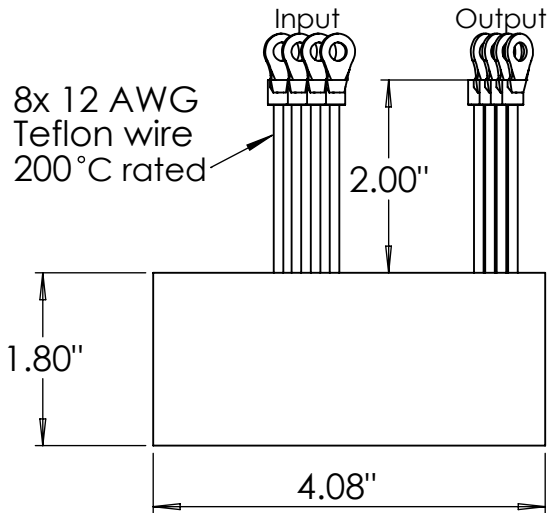


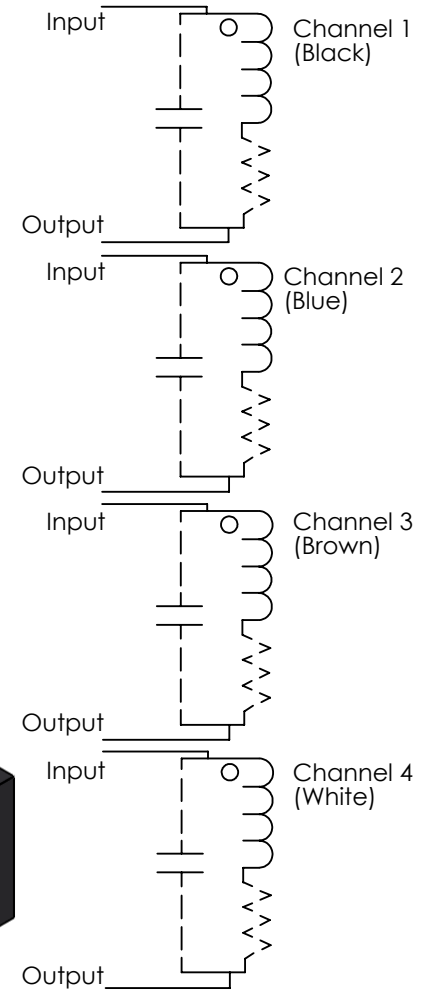
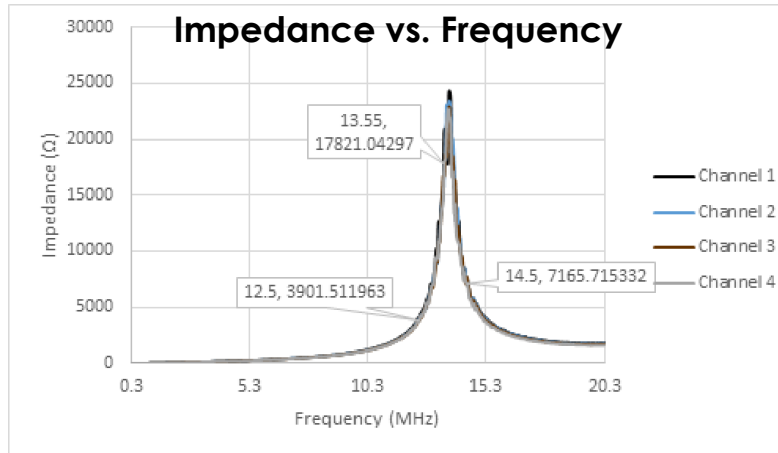
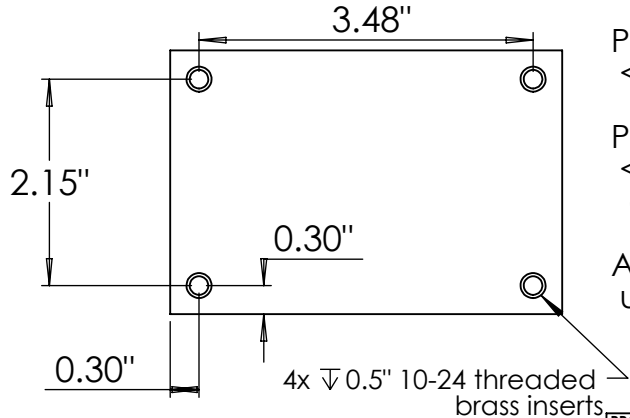
Top View



Side View



Bottom View



Impedance:
 at 13.55 MHz: >15 kΩ
 at 12.5 MHz: >3 kΩ
 at 14.5 MHz: >4 kΩ

DCR:
 14 mΩ nom. @25°C
 each channel

L: 9μH nom. @25°C, 100 kHz
 each channel

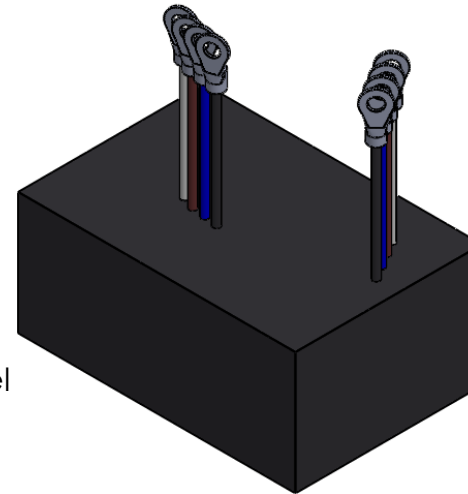
C: 15 pF nom. each channel

Weight: 1.8 lb

Passes AC hipot test: 2.5 kV, 10 s
 <20 mA leakage to channel

Passes DC hipot test: 3.5 kV, 10 s
 <0.05 mA leakage channel to channel, all

All materials Class H 155°C rated
 unless otherwise noted



REV	Change	BY	Date
1	Update Electrical specs	MC	2/15/17
UNLESS OTHERWISE SPECIFIED DIMENSIONS ARE IN INCHES TOLERANCES: X. ± 0.10 in X.X ± 0.05 in X.XX ± 0.02 in X.XXX ± 0.005 in DRAWING NOT TO SCALE UNLESS NOTED		WEST COAST MAGNETICS 4848 FRONTIER WAY, STE. 100 STOCKTON, CA 95215 800-628-1123	
CUSTOMER WEST COAST MAGNETICS		DESCRIPTION 13.55 MHz RF Filter	
PART NUMBER WCM6311		REV 1	
RELEASED BY MC	DATE 01/09/2017	SHEET 1 OF 1	

PROPRIETARY AND CONFIDENTIAL
 THE DATA CONTAINED HEREIN CONSTITUTES PROPRIETARY INFORMATION OF WEST COAST MAGNETICS AND SHALL NOT BE USED, DUPLICATED, OR DISCLOSED IN WHOLE OR IN PART, EXCEPT FOR RIGHTS EXPRESSLY GRANTED BY CONTRACT, WITHOUT THE PRIOR WRITTEN AUTHORIZATION OF WEST COAST MAGNETICS.