

# 505 series

## common mode chokes

### PRODUCT DESCRIPTION

West Coast Magnetics' 505 series provides very high attenuation of common mode noise for lower current level applications. This choke provides 5000 Ohms of impedance from 200 kHz to 6 MHz for low power applications. At the maximum rated RMS current level of 9amps, 100 Ohms of noise impedance are available up to 70 MHz. The 505 series package is a compact SMD carrier. This common mode choke features 1500 Vac of isolation between windings, which meets most low power safety agency standards.

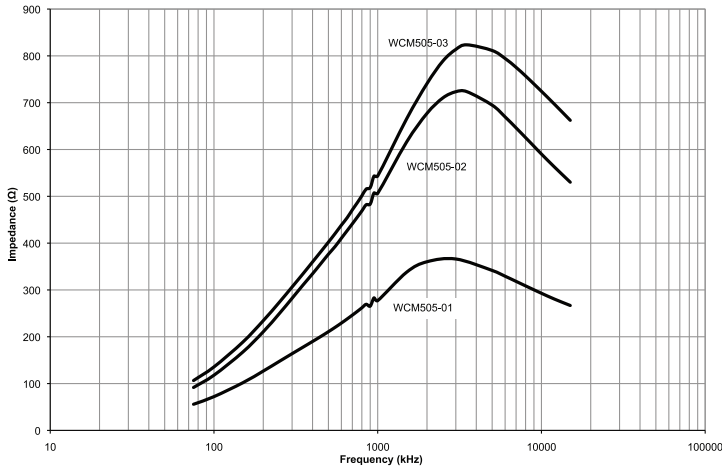
### FEATURES & BENEFITS

Very high common mode noise attenuation for low power applications – Power handling to 9amps – Compact SMD package – 1500 Vac winding to winding isolation – Tape and reel available

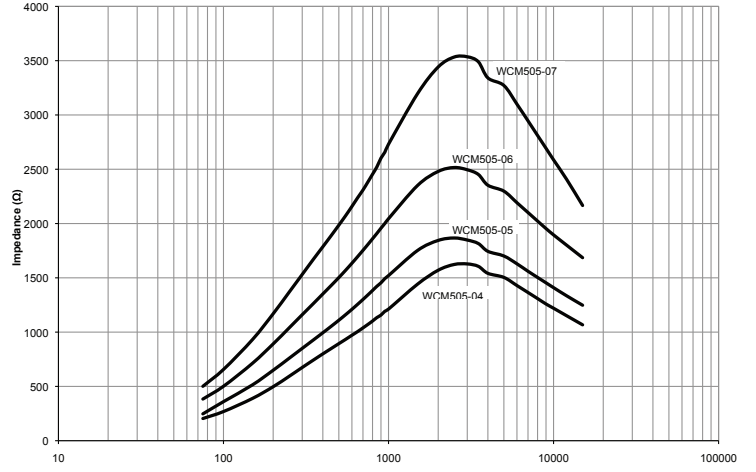


| Product Code | Nominal Inductance ( $\mu$ H) | Rated RMS Current (amps) 40°C Temp Rise | Rated RMS Current (amps) 60°C Temp Rise | Rated RMS Current (amps) 80°C Temp Rise | Typical Leakage Inductance ( $\mu$ H) | Maximum DCR ( $\Omega$ ) | Hypot (Vac) |
|--------------|-------------------------------|---|---|---|---------------------------------------|--------------------------|-------------|
| 505-1        | 100                           | 5.65                                    | 8.80                                    | 8.99                                    | 0.7                                   | 0.003                    | 1500        |
| 505-2        | 150                           | 5.35                                    | 7.45                                    | 8.65                                    | 1.0                                   | 0.004                    | 1500        |
| 505-3        | 220                           | 4.95                                    | 6.08                                    | 8.33                                    | 1.2                                   | 0.005                    | 1500        |
| 505-4        | 330                           | 4.45                                    | 5.50                                    | 6.45                                    | 1.4                                   | 0.009                    | 1500        |
| 505-5        | 500                           | 3.48                                    | 4.18                                    | 4.78                                    | 2.1                                   | 0.017                    | 1500        |
| 505-6        | 750                           | 2.95                                    | 3.50                                    | 4.05                                    | 2.7                                   | 0.025                    | 1500        |
| 505-7        | 1000                          | 2.50                                    | 2.78                                    | 3.14                                    | 3.7                                   | 0.045                    | 1500        |
| 505-8        | 1200                          | 2.30                                    | 2.71                                    | 3.04                                    | 4.3                                   | 0.051                    | 1500        |
| 505-9        | 1800                          | 1.90                                    | 2.19                                    | 2.50                                    | 5.3                                   | 0.073                    | 1500        |
| 505-10       | 2200                          | 1.50                                    | 1.73                                    | 1.94                                    | 7.7                                   | 0.102                    | 1500        |
| 505-11       | 3300                          | 1.05                                    | 1.28                                    | 1.44                                    | 11.0                                  | 0.191                    | 1500        |
| 505-12       | 5000                          | 0.78                                    | 0.91                                    | 1.08                                    | 15.0                                  | 0.381                    | 1500        |
| 505-13       | 7500                          | 0.53                                    | 0.63                                    | 0.72                                    | 26.0                                  | 0.723                    | 1500        |
| 505-14       | 10000                         | 0.43                                    | 0.55                                    | 0.60                                    | 33.0                                  | 1.038                    | 1500        |

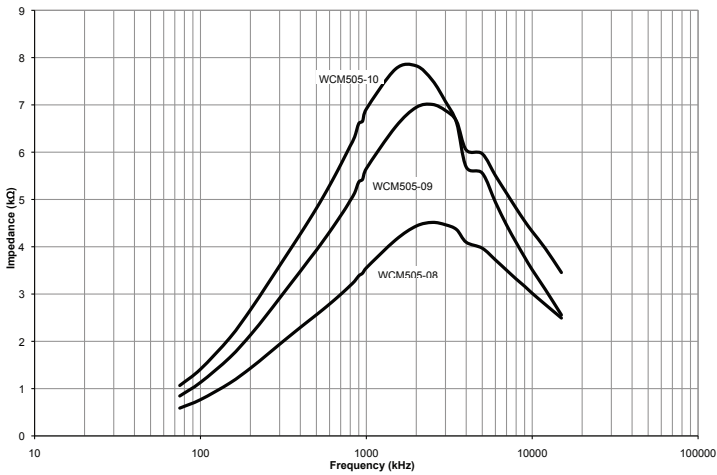
**Common Mode Noise Impedance**  
WCM505-01,-02,-03



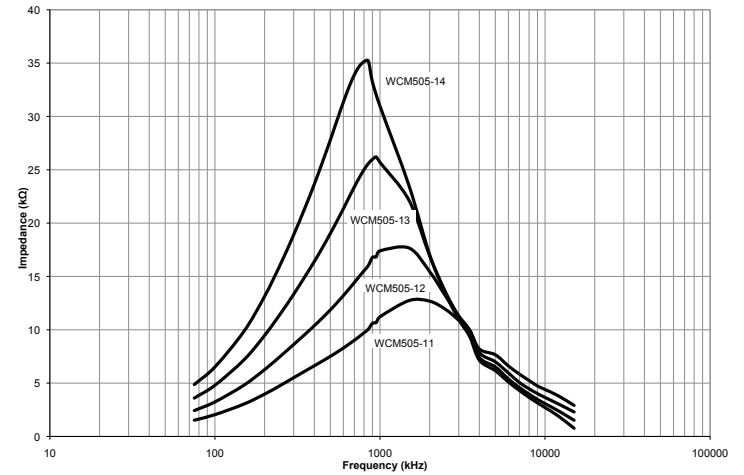
**Common Mode Noise Impedance**  
WCM505-04,-05,-06,-07



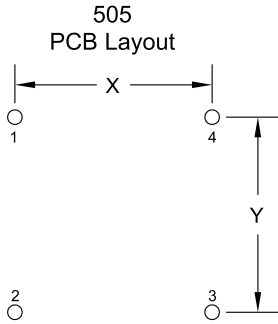
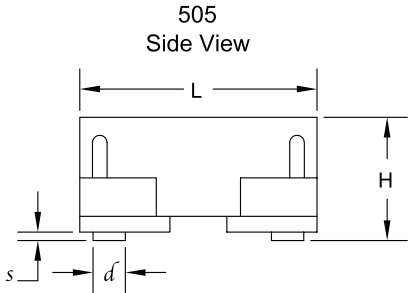
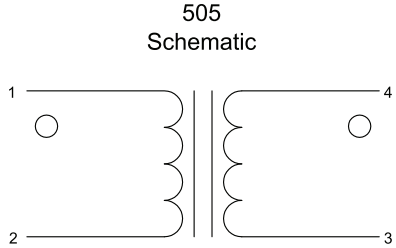
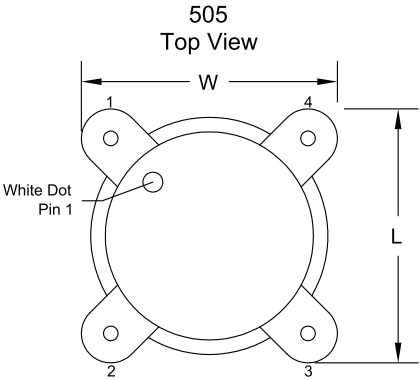
**Common Mode Noise Impedance**  
WCM-08,-09,-10



**Common Mode Noise Impedance**  
WCM-11,-12,-13,-14

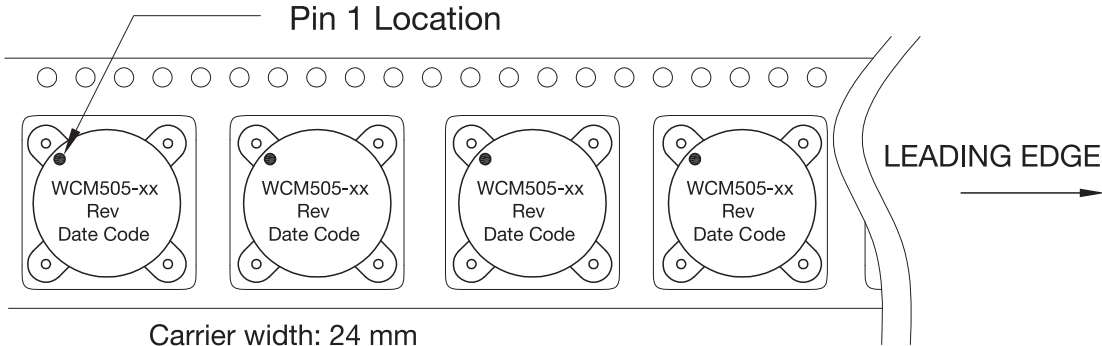


Dimensions:  $\frac{\text{Inches}}{\text{cm}}$



| Product Code | L                    | W                    | H                   | s                   | d                   | X                    | Y                    |
|--------------|----------------------|----------------------|---------------------|---------------------|---------------------|----------------------|----------------------|
| 505          | $\frac{0.530}{13.5}$ | $\frac{0.530}{13.5}$ | $\frac{0.290}{7.4}$ | $\frac{0.030}{0.8}$ | $\frac{0.060}{1.5}$ | $\frac{0.400}{10.2}$ | $\frac{0.400}{10.2}$ |

**TAPE AND REEL**



Carrier width: 24 mm  
 Pocket size: 13.8 mm x 13.8 mm x 7.8 mm  
 Pitch: pocket to pocket 20 mm