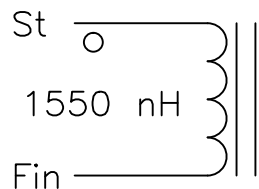


THE DATA CONTAINED HEREIN CONSTITUTES PROPRIETARY INFORMATION OF WEST COAST MAGNETICS AND SHALL NOT BE USED, DUPLICATED, OR DISCLOSED IN WHOLE OR IN PART, EXCEPT FOR RIGHTS EXPRESSLY GRANTED BY CONTRACT, WITHOUT THE PRIOR WRITTEN AUTHORIZATION OF WEST COAST MAGNETICS.

WCM REVISIONS

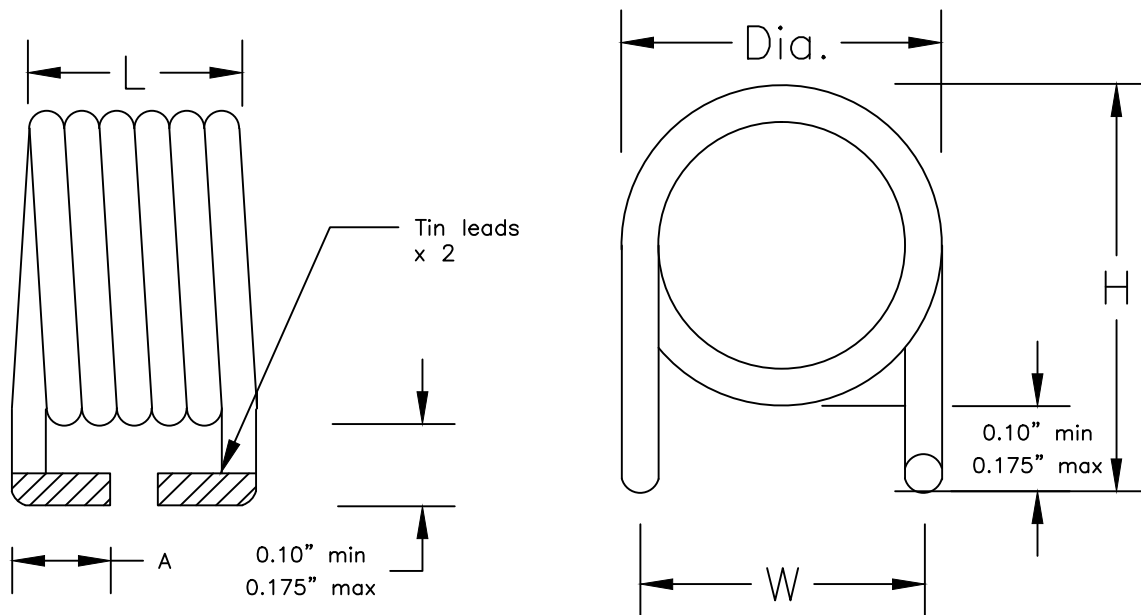
REV	CHANGES	BY	DATE
-----	---------	----	------



SCHEMATIC

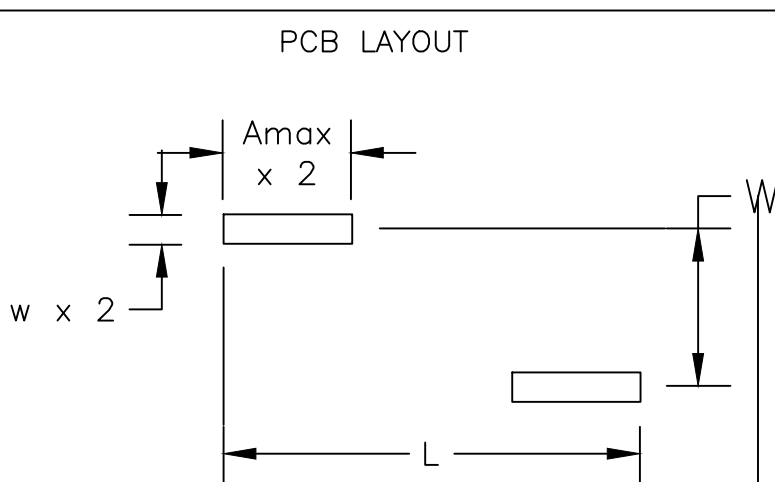
ELECTRICAL SPECIFICATIONS:
 L=1550nH +/- 5% @ 7MHz
 Frequency = 7 MHz
 Current rating = 25 amps
 Q = 240 minimum at 7 MHz

MATERIAL SPECIFICATIONS:
 Wire copper core with heavy armored polythermaleze insulation, Nema MW35-C compliant, 200 C rated.
 Lead finish: Sn96.5 Ag3.0 Cu0.5



DIMENSIONS:
 Amin: 0.500"
 Amax: 0.600"
 Diameter: 1.18"
 H: 1.32"
 W: 1.16"
 L: 1.10"
 w: 0.14"

PCB LAYOUT



UNLESS OTHERWISE SPECIFIED DIMENSIONS ARE IN INCHES TOLERANCES PER ANSI Y14.5M

FRAC	DECIMALS	ANGLES	SURF.
±	X. ± 0.10"	±	
	.X ± 0.07"		
	.XX ± 0.05"		
	.XXX ± 0.025"		

DRAWING NOT TO SCALE
 UNLESS NOTED.



WEST COAST MAGNETICS

4848 FRONTIER WAY, STE. 100
 STOCKTON, CA 95215
 WWW.WCMAGNETICS.COM
 800-628-1123

CUSTOMER	DESCRIPTION	PART NUMBER	REV.
WCM	RF INDUCTORS	WCMRF1001	-
RELEASED BY	DATE	PAGE	
WL	1/12/15	1/1	