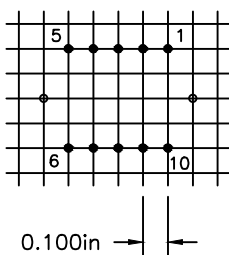


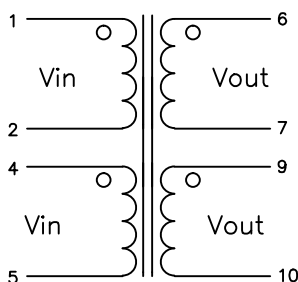
THE DATA CONTAINED HEREIN CONSTITUTES PROPRIETARY INFORMATION OF WEST COAST MAGNETICS AND SHALL NOT BE USED, DUPLICATED, OR DISCLOSED IN WHOLE OR IN PART, EXCEPT FOR RIGHTS EXPRESSLY GRANTED BY CONTRACT, WITHOUT THE PRIOR WRITTEN AUTHORIZATION OF WEST COAST MAGNETICS.

| WCM REVISIONS |         |    |      |
|---------------|---------|----|------|
| REV           | CHANGES | BY | DATE |

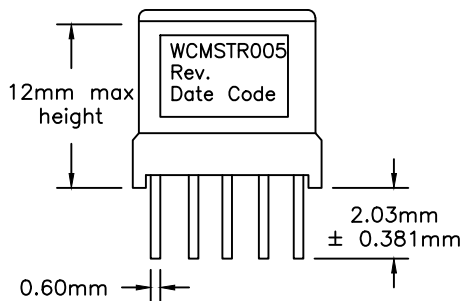
PCB LAYOUT



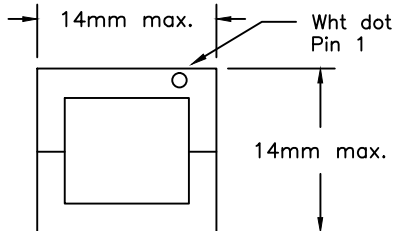
SCHEMATIC



SIDE VIEW



TOP VIEW



ELECTRICAL SPECIFICATIONS

Vin 1-5 = 12 Vdc nominal  
 Vout 6-10 = TBD by application  
 Inductance 1-2 = Inductance 4-5 = 12.6 uH nominal  
 DCR 14 milliohm nominal at 25 C.  
 Withstand Voltage Hypot: 1750 Vac for 1 second PRIs to SECs.  
 Power =25 watts  
 Frequency = 250 kHz

MATERIAL SPECIFICATIONS

ROHS compliant  
 Creepage/Clearance PRIs to SECs 3.2 mm min.  
 Creepage/Clearance Primary to core 2.4 mm min.  
 Creepage/Clearance Secondary to core 0.8 mm min.  
 Class B Temperature rating.  
 Max wave temperature: 250 deg. C for 20 seconds  
 Moisture sensitivity level 2  
 Operating temperature: -40C to 130C  
 Storage temperature: -40C to 40C

UNLESS OTHERWISE SPECIFIED DIMENSIONS ARE IN INCHES TOLERANCES PER ANSI Y14.5M

| FRAC | DECIMALS      | ANGLES | SURF. |
|------|---------------|--------|-------|
| ±    | X. ± 0.10"    | ±      |       |
|      | .X ± 0.05     |        |       |
|      | .XX ± 0.02"   |        |       |
|      | .XXX ± 0.005" |        |       |

DRAWING NOT TO SCALE UNLESS NOTED.

WEST COAST MAGNETICS

4848 FRONTIER WAY, STE. 100  
 STOCKTON, CA 95215  
 WWW.WCMAGNETICS.COM  
 800-628-1123

| CUSTOMER | DESCRIPTION      |
|----------|------------------|
| WCM      | SMPS Transformer |

| PART NUMBER | REV. |
|-------------|------|
| WCMSTR005   | -    |

| RELEASED BY | DATE    | PAGE |
|-------------|---------|------|
| WL          | 1/15/15 | 1/1  |

