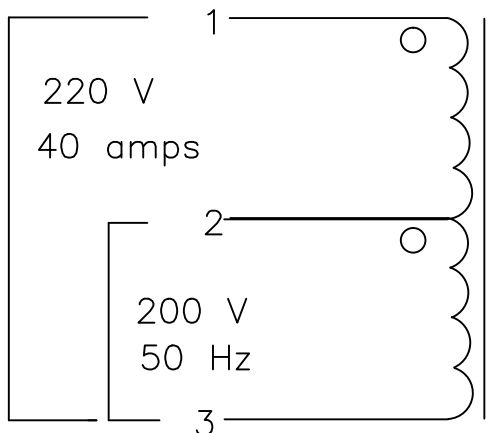


THE DATA CONTAINED HEREIN CONSTITUTES PROPRIETARY INFORMATION OF WEST COAST MAGNETICS AND SHALL NOT BE USED, DUPLICATED, OR DISCLOSED IN WHOLE OR IN PART, EXCEPT FOR RIGHTS EXPRESSLY GRANTED BY CONTRACT, WITHOUT THE PRIOR WRITTEN AUTHORIZATION OF WEST COAST MAGNETICS.

WCM REVISIONS			
REV	CHANGES	BY	DATE

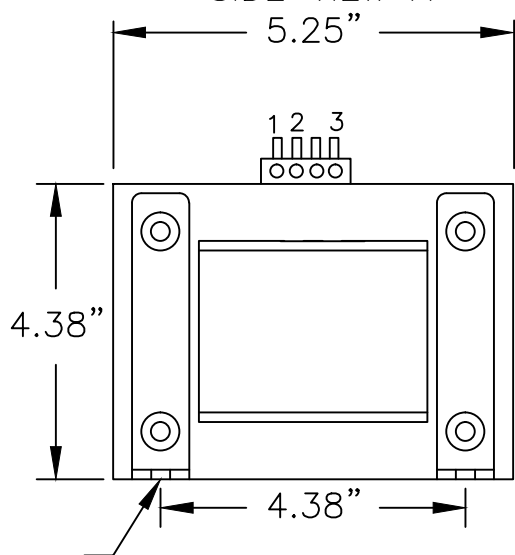
SCHEMATIC



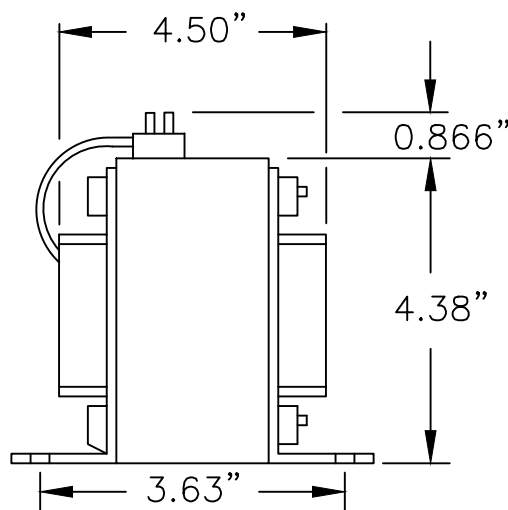
SPECIFICATIONS

DCR 1-2 = 8.4 mOhms
 DCR 2-3 = 1.1 Ohms
 All materials of construction:
 Minimum Class B 130 degrees C rated
 Weight = 7.7 Kg nom

SIDE VIEW A



SIDE VIEW B



UNLESS OTHERWISE SPECIFIED DIMENSIONS ARE IN INCHES TOLERANCES PER ANSI Y14.5M

FRAC	DECIMALS	ANGLES	SURF.
±	X. ± 0.10"	±	
	.X ± 0.05		
	.XX ± 0.02"		
	.XXX ± 0.005"		

DRAWING NOT TO SCALE
UNLESS NOTED.

WEST COAST MAGNETICS

4848 FRONTIER WAY, STE. 100
 STOCKTON, CA 95215
 WWW.WCMAGNETICS.COM
 800-628-1123

CUSTOMER	DESCRIPTION
WCM	Autotransformer

PART NUMBER	REV.
WCMLTRO02	-

RELEASED BY	DATE	PAGE
WL	1/15/15	1/1

