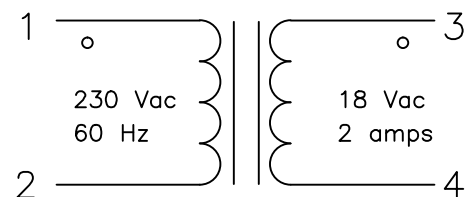


THE DATA CONTAINED HEREIN CONSTITUTES PROPRIETARY INFORMATION OF WEST COAST MAGNETICS AND SHALL NOT BE USED, DUPLICATED, OR DISCLOSED IN WHOLE OR IN PART, EXCEPT FOR RIGHTS EXPRESSLY GRANTED BY CONTRACT, WITHOUT THE PRIOR WRITTEN AUTHORIZATION OF WEST COAST MAGNETICS.

WCM REVISIONS			
REV	CHANGES	BY	DATE



SCHEMATIC

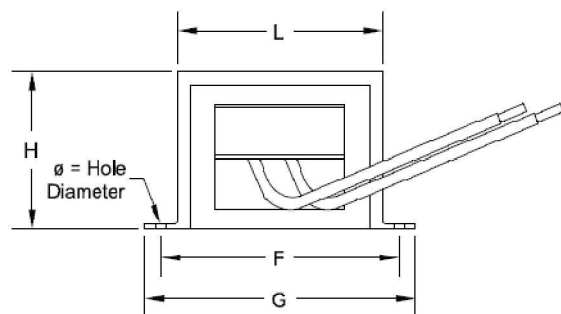
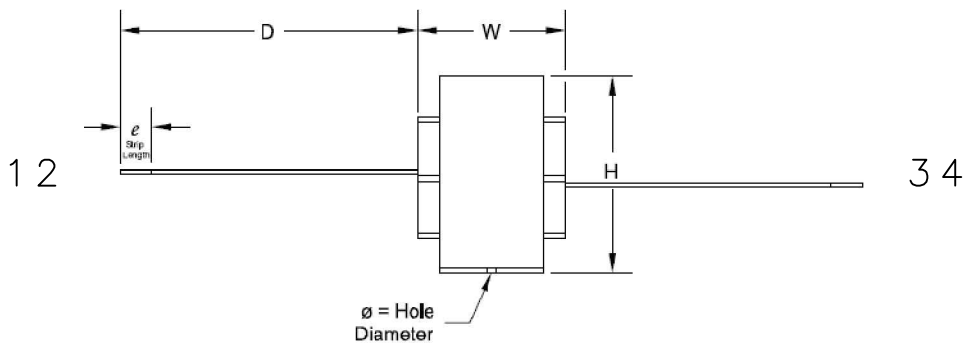


ELECTRICAL SPECIFICATIONS

DCR primary = 43.5 ohms nominal at 25 C
 DCR secondary = 363 milliohms nominal at 25 C
 Hypot = 2500 Vac primary to secondary

MATERIAL SPECIFICATIONS

Primary lead wire = stranded UL 1007 24 awg
 Secondary lead wire = stranded UL 2007 20 awg
 All materials minimum 105 C rated.
 Varnish bake and dip



Product Code	L	W	H	F	G	ø	D	e	Lead Wire
802-9	<u>2.73</u> 69.3	<u>1.82</u> 46.2	<u>2.38</u> 60.5	<u>3.125</u> 79.4	<u>3.69</u> 93.7	<u>0.187</u> 4.7	6"	1/2	24 AWG

UNLESS OTHERWISE SPECIFIED DIMENSIONS ARE IN INCHES TOLERANCES PER ANSI Y14.5M

FRAC	DECIMALS	ANGLES	SURF.
±1/32	.X ± 0.10"	± 1 deg.	
	.X ± 0.05		
	.XX ± 0.02"		
	.XXX ± 0.005"		

DRAWING NOT TO SCALE
 UNLESS NOTED.



WEST COAST MAGNETICS

4848 FRONTIER WAY, STE. 100
 STOCKTON, CA 95215
 WWW.WCMAGNETICS.COM
 800-628-1123

CUSTOMER	DESCRIPTION	
WCM	60 Hz Transformer	
PART NUMBER	REV.	
WCMLTR001	-	
RELEASED BY	DATE	PAGE
WL	1/12/2015	1/1