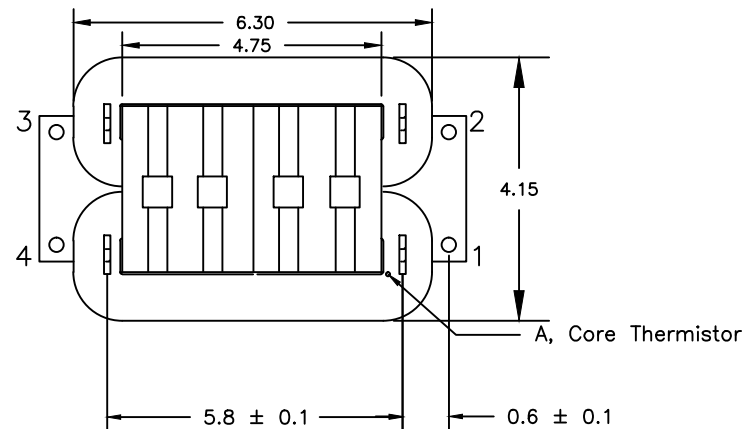
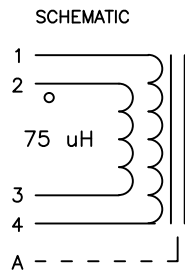
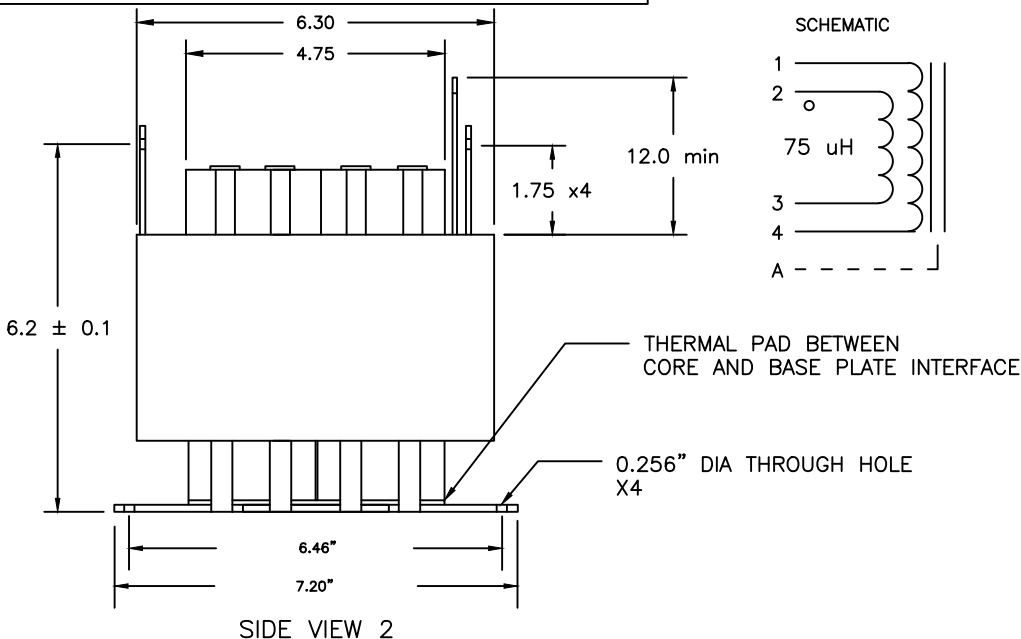


THE DATA CONTAINED HEREIN CONSTITUTES PROPRIETARY INFORMATION OF WEST COAST MAGNETICS AND SHALL NOT BE USED, DUPLICATED, OR DISCLOSED IN WHOLE OR IN PART, EXCEPT FOR RIGHTS EXPRESSLY GRANTED BY CONTRACT, WITHOUT THE PRIOR WRITTEN AUTHORIZATION OF WEST COAST MAGNETICS.

WCM REVISIONS		
REV	CHANGES	BY DATE

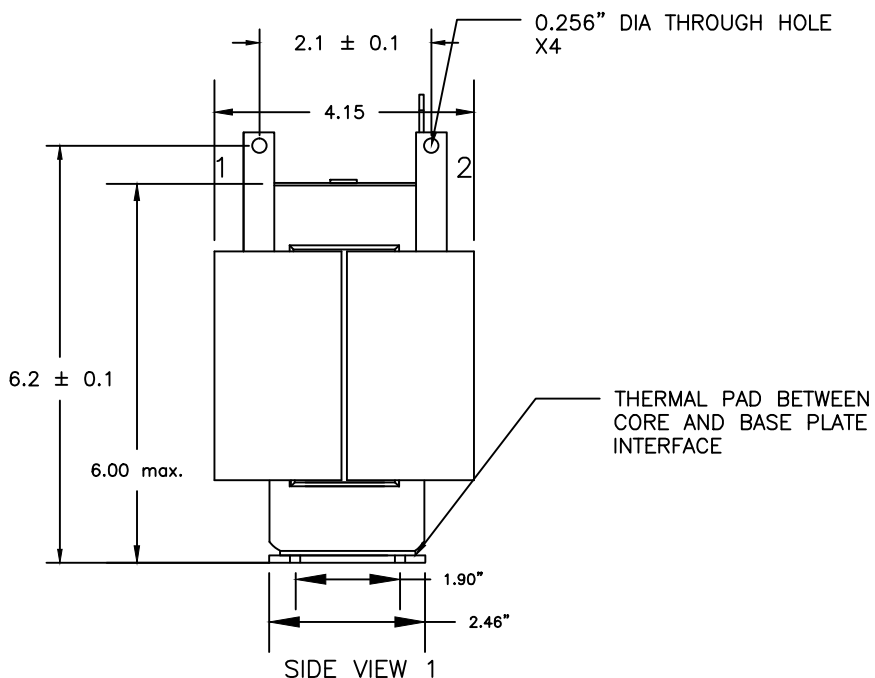


ELECTRICAL SPECIFICATIONS

Inductance = 75 uH +/- 7% at 10 kHz, unloaded
 L min = 70 uH at 217 amps peak
 L min = 65 uH at 280 amps peak
 I dc = 167 amps
 I ripple = 100 App at 20 kHz
 DCR = 1.1 milliohm nominal at 25 C

OTHER SPECIFICATIONS

B = 3360 gauss at 200 App, 10 kHz
 Core losses = 132 watts
 DC copper losses = 32 Watts
 AC copper losses = 32 watts (est.)
 Core area = 18.6 cm²
 Core material = Metglas, amorphous metal.
 Base plate material = Aluminum, smooth surface
 Thermal pad thermal conductivity = 1.20 W/m*K
 Termination: tin plated copper tab, 0.125" thick, 0.200" through hole
 Thermistor:
 Manufacturer: Amertherm
 Mfr PN: 103395-334
 QTY: 1 EA
 Lead A, Core Thermistor
 DIMENSIONS (inches)
 WEIGHT 17 lbs
 All materials min 150 C rated.
 ROHS compliant.



UNLESS OTHERWISE SPECIFIED DIMENSIONS ARE IN INCHES TOLERANCES PER ANSI Y14.5M

FRAC	DECIMALS	ANGLES	SURF.
±	X. ± 1.0 mm		
	.X ± 0.5 mm		
	.XX ± 0.05 mm		
	.XXX ± 0.005 mm		

DRAWING NOT TO SCALE
UNLESS NOTED.



WEST COAST MAGNETICS

4848 FRONTIER WAY, STE. 100
 STOCKTON, CA 95215
 WWW.WCMAGNETICS.COM
 800-628-1123

CUSTOMER	DESCRIPTION	REV.
WCM	INDUCTOR	-
PART NUMBER		REV.
WCMPIN001		-
RELEASED BY	DATE	PAGE
WL/CC	1/9/15	1/1